



# **Fuel System Illustrated Parts Catalog**

---

## **Flow Dividers (Manifold)**

---

May 4, 2021

Part No. AFS-IPC-09

# Fuel System Illustrated Parts Catalog

AVStar Part Number: AFS-IPC-09

## Contact Us:

### Mailing Address:

AVStar Fuel Systems  
1365 Park Lane South  
Jupiter, FL 33458 USA

### Phone:

**Factory**

U.S. and Canada Toll Free:

+1 (866) 982-7287

Direct:

+1 (561) 575-1560

AVStar's regular business hours are Monday through Friday from 8:00AM through 5:00PM Eastern Time (-5 GMT).

Visit us Online: [avstardirect.com](http://avstardirect.com)



**RECORD OF REVISIONS**

Revision	Revision Date	Revised By	Revision Description
Original	05/04/2021	BLS	Original Release of Catalog - Part No. AFS-IPC-09

This page intentionally left blank.



**TABLE OF CONTENTS**

<b><u>Subject</u></b>	<b><u>Page</u></b>
<b>Title Page</b> .....	
<b>Record of Revisions</b> .....	<b>i</b>
<b>Table of Contents</b> .....	<b>iii</b>
<b>Introduction</b> .....	<b>v</b>
<b>Table 1: Torque &amp; Lubrication Data</b> .....	<b>vii</b>
<b>Engine Fuel System: Flow Divider (Manifold)</b> .....	<b>73-10</b>
— <b>Figure 1 – Flow Divider (Manifold) Assembly</b> .....	<b>1</b>
— <b>Figure 2 – Vented Cover Orientation</b> .....	<b>2</b>

This page intentionally left blank.

## **INTRODUCTION**

The AVStar Flow Dividers (Manifolds) applicable to this catalog consist of four part numbers. Refer to the *assembly* part number on the body and to the latest Revision of Lycoming Service Instruction S.I. 1532 for a cross reference of applicable engines as well as any applicable data provided by the Airframer.

### **Scope of this Catalog**

This Illustrated Parts Catalog provides applicable part number, torque requirements and lubrication or other Sealant Data (in compliance with FAR 33.4) for the purposes of identifying components which may require replacement or maintenance throughout the service life of the AVStar flow divider. The information provided in this catalog serves as a supplement to other applicable Maintenance Documents. The data provided in this catalog shall only be used and referenced for servicing those part numbers explicitly listed and manufactured by AVStar Fuel Systems.

### **List of Publications**

Refer to AVStar's website for a complete list of publications available.

### **Warranty & Liability Information**

The warranty coverage on AVStar products is described in detail in the following documents. Refer to the AVStar website for the latest revision:

Certified New Fuel Systems	AFS900-F28, latest revision
Overhauled Fuel Systems	AFS900-F31, latest revision

Dismantling a fuel system or using unauthorized parts in any AVStar product voids all warranties. AVStar will not accept liability for units that contain unauthorized parts irrespective of the theory upon which any claim might be based including, but not limited to, breach of contract, warranty, negligence, or strict liability in tort. The customer specifically agrees that the party or parties responsible for installation and/or use of unauthorized parts shall bear sole and exclusive liability for all property damage or injury, including death, resulting from any malfunction of the unit in which unauthorized parts are installed.

### **Simplified Technical English**

The text in the catalog is written in the form of Simplified Technical English in compliance with FAA requirements and to make translation into other languages easier.

### **Format**

Chapters in this catalog are identified in General Aviation Manufacturers Association (GAMA) Specification format.

### **Figures**

Figures in this manual are for illustration purposes only. Figures always start as Figure 1 in each chapter.

**Copyright**

This publication is a copyrighted work. All rights reserved by AVStar Fuel Systems. Content in this manual cannot be changed or released as a reprint, electronic media output, or web communiqué without written permission from AVStar Fuel Systems.

**Feedback**

To supply comments, suggestions, or corrections to this manual, either make a call to customer service or use the AVStar website <http://www.avstardirect.com/contact-us/>

**Customer Service**

Additionally, AVStar has Customer Service to supply information and assistance to owners, operators, and maintenance personnel servicing AVStar Fuel Systems.

**Phone:**

Factory:	U.S. and Canada toll free - +1(866) 982-7287 Direct - +1(561) 575-1560
Fax:	+1(561) 575-0795

AVStar's regular business hours are Monday through Friday from 8:00 A.M. through 5:00 P.M. Eastern Time (-5 GMT)





Table 1:  
Torque & Lubrication Data

Figure	Item	Part Number	Description	Torque Setting in-lbs	Target Setting in-lbs	Sealant, Lubricant, etc.
1	4	AV 399847	SCREW - #10-24 X 3/4" .....	20-30**	25	-
1	8	AV 2520852	SCREW - #8-32 X 3/8" .....	10-15*	12	Loctite 242
1	15	AV 2577031	VENT - FLOW DIVIDER .....	30-40	35	Loctite 242
1	16	AV 2577043	SCREW - CROSS RECESS - FLATHEAD .....	8-11*	9	Loctite 242

\*Retighten to original value after 5 minutes. Retighten once only.  
\*\*Retighten to original value after 20 minutes. Retighten once only.

**NOTICE:** Torque data provided in this catalog is for reference. Many components require the use of specialized tools and procedures. This data, without the use of other applicable service documents and tools, is insufficient for making any repairs or alterations. Refer to Warranty & Liability Information for further details.

**NOTICE:** Part Numbers listed in the following catalog which are identified by **Bold Underlined** font require 100% replacement at each overhaul. For example, Figure 1 – Item 8, Part Number **AV 2520852**. It is also considered Best Practice to replace these items should they be removed from the flow divider during maintenance. At no time should a gasket be reused if it is removed or the corresponding component which uses the gasket is removed or the installation torque is broken.

This page intentionally left blank.

**73-10 – ENGINE FUEL SYSTEM: FLOW DIVIDER (MANIFOLD)**

1. Figure 1 – Flow Divider (Manifold) Assembly

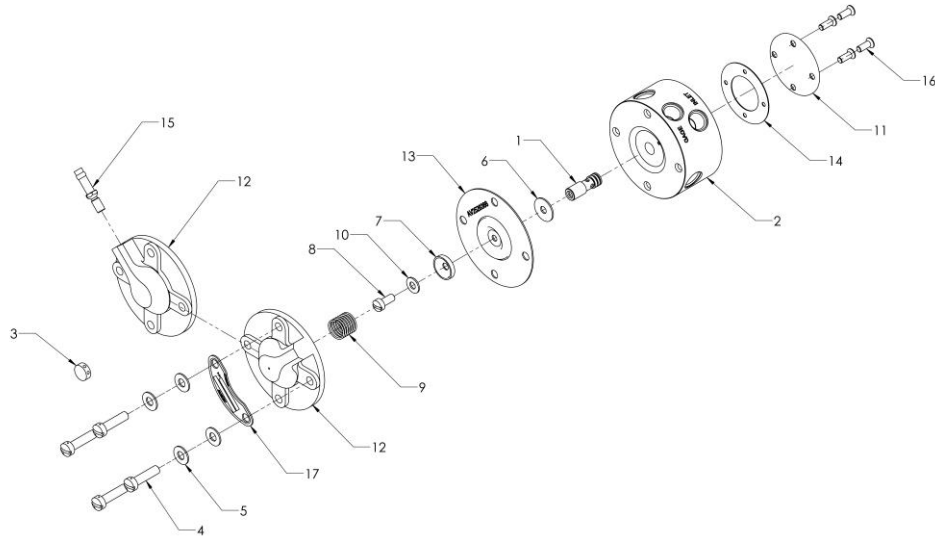
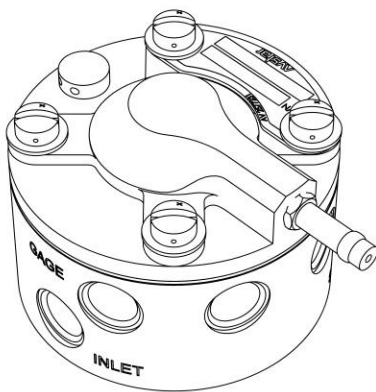
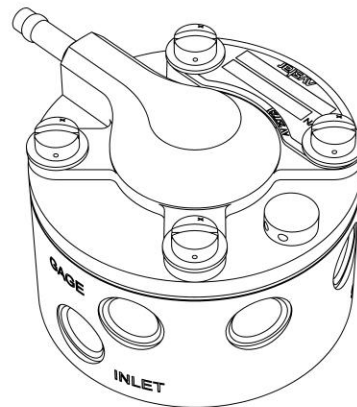


Fig 1 - Item	Part Number	Description	ALL FLOW DIVIDERS				
			AV 2524232-2	AV 2576526-1	AV 2576564-1	AV 2576624-1	
1		VALVE - SPOOL .....	NP				
2		BODY - DIMDER .....	NP				
3	<b>AV 2039</b>	SEAL - LEAD DISC .....	1				
4	AV 399847	SCREW - #10-24 X 3/4" .....	4				
5	AV 911242	WASHER - FLAT .....	4				
6	AV 2520816	WASHER - DIAPHRAGM .....	1				
7	AV 2520819	WASHER - DIAPHRAGM .....	1				
8	<b>AV 2520852</b>	SCREW - #8-32 X 3/8" .....	1				
9	AV 2521635	SPRING - FLOW DIVIDER VALVE (2 PSI) .....		1			
	AV 2577011	SPRING - FLOW DIVIDER VALVE (4 PSI) .....			1	1	1
10	<b>AV 2521636</b>	WASHER - FLAT .....	1				
11	AV 2523347	COVER .....	1				
12	AV 2523499	COVER - FLOW DIMDER .....		1	1		
	AV 2577032	COVER - FLOW DIMDER .....				1	1
13	<b>AV 2526388</b>	DIAPHRAGM .....	1				
14	<b>AV 2538998</b>	GASKET .....	1				
15	AV 2577031	VENT - FLOW DIMDER .....				1	1
16	AV 2577043	SCREW - CROSS RECESS - FLATHEAD .....	4				
17	<b>AV 2577231</b>	PLATE - IDENTIFICATION (BLACK NEW BUILD) .....	1				
	<b>AV 2577232</b>	PLATE - IDENTIFICATION (YELLOW OVERHAUL) .....	1				
18	<b>MS20995-C25</b>	LOCKWIRE .025 .....	AR				

2. Figure 2 – Vented Cover Orientation



AV 2576564-1: 90 degrees from inlet port



AV 2576624-1: 270 degrees from inlet port

This page intentionally left blank.